

Self-erecting towercrane on self-propelled undercarriage



Specifications

Self-erecting 21 tm towercrane

- Jiblength of 26 m and lifting height of 18,7 m or maximum 25,9 m with raised jib
- Maximum capacity of 1800 kg, lifting, trolley and slewing motion controlled by inverter
- Octogonal galvanised tower and compact galvanised lattice jib
- Equipped with maximum load and loadmoment safety systems
- Craneoperation and erection within 10 minutes via radio-control with display
- Removable steel counterweight of 2 x 4150 kg with a slewing radius of 2,13 m
- Automatic lubrication, selector switch for jib configurations

Self-propelled 4WDS undercarriage

- Electro-mechanical four-wheel drive with 2 speeds and four-wheel steer
- Can be driven fully erected
- Heavy axles with hubreduction and 8 pcs 9.00 x 20 tyres with terrainprofile
- Four extendable hydraulic outriggers with a base of 4,0 x 4,0 m
- Driving and steering via cable control unit with pushbuttons
- Power supply 400 V - 3 x 25 A or optional 20 kVA soundproof genset on the undercarriage
- Compact transport dimensions: (l x b x h) 12,1 m x 2,8 m x 3,1 m, total weight 21,4 ton



T: +31(0)251-218188
F: +31(0)251-215541



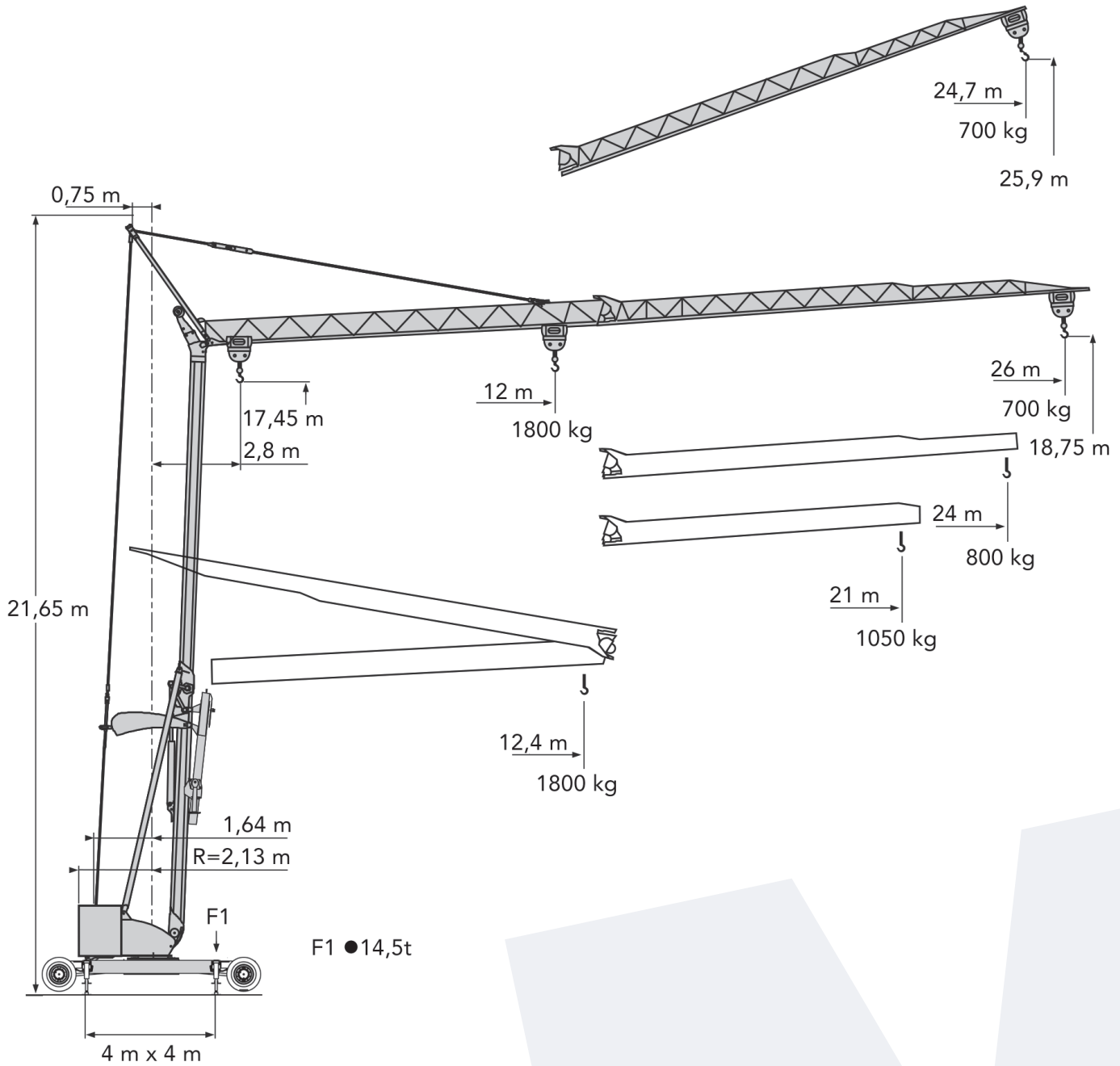
info@montarent.nl
www.montarent.nl



Duiveland 4
1948 RB Beverwijk



Postbus 348
1940 AH Beverwijk



Loadchart

Radius (m)	12	13	14	15	16	18	20	22	24	26
Capacity (kg)	1800	1630	1490	1370	1265	1095	965	860	775	700

